



THE UPFIT YOU DESERVE

SIDE DOOR STEP

UPSTEP RS3

There when you need it, gone when you don't.

The UpStep RS3 is a fully **retractable side door step** designed to increase safety when entering and exiting a vehicle. Fully mechanical, the step requires no electrical installation or maintenance - saving time & money.

MATERIAL

METAL

COLOUR

**BLACK+
YELLOW**

INSTALL

2 HOURS



AUTOMATIC, NOT ELECTRIC

Thanks to the UpStep's unique mechanical design, installation becomes quick and easy - eliminating the hassle of technical electrical installation.

Being retractable, the UpStep boasts almost 40 inches of surface area when deployed, and completely tucks away beneath the van when retracted.

Available Kit* Options

RAM Promaster

Ford Transit

Mercedes Sprinter

**Side Door Step unit must be paired with correct vehicle mounting kit in order to be properly installed*

WINTER TESTED

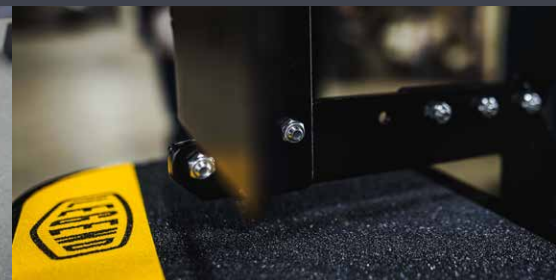
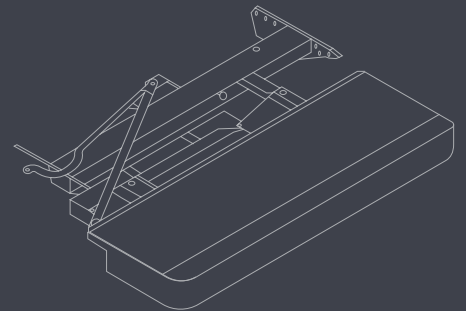
We've seen time and time again electrical steps malfunctioning in extreme cold conditions. This results in unwarranted upkeep costs and frequent business delays for maintenance.

Not the UpStep

Developed and tested in Northern Canada's most extreme conditions, the UpStep is a reliable companion in the most extreme of conditions.

LARGEST SURFACE AREA ON THE MARKET

Tread Depth	11.56"
Riser Height	2.92"
Unit Width	38.58"
Unit Depth with Mounting Kit	27.02"
Mounting Bracket Height	5.91"



THE UPFIT YOU DESERVE

WEBSITE

NA: legendsoftheroad.com
UK: legendsoftheroad.co.uk

EMAIL

NA: info@legendfleet.com
UK: contactus@legendfleet.com

PHONE

Phone: [647.696.6223](tel:647.696.6223)
Toll Free: [866.545.0693](tel:866.545.0693)
UK: [+44 \(0\)2477 180448](tel:+44(0)2477180448)